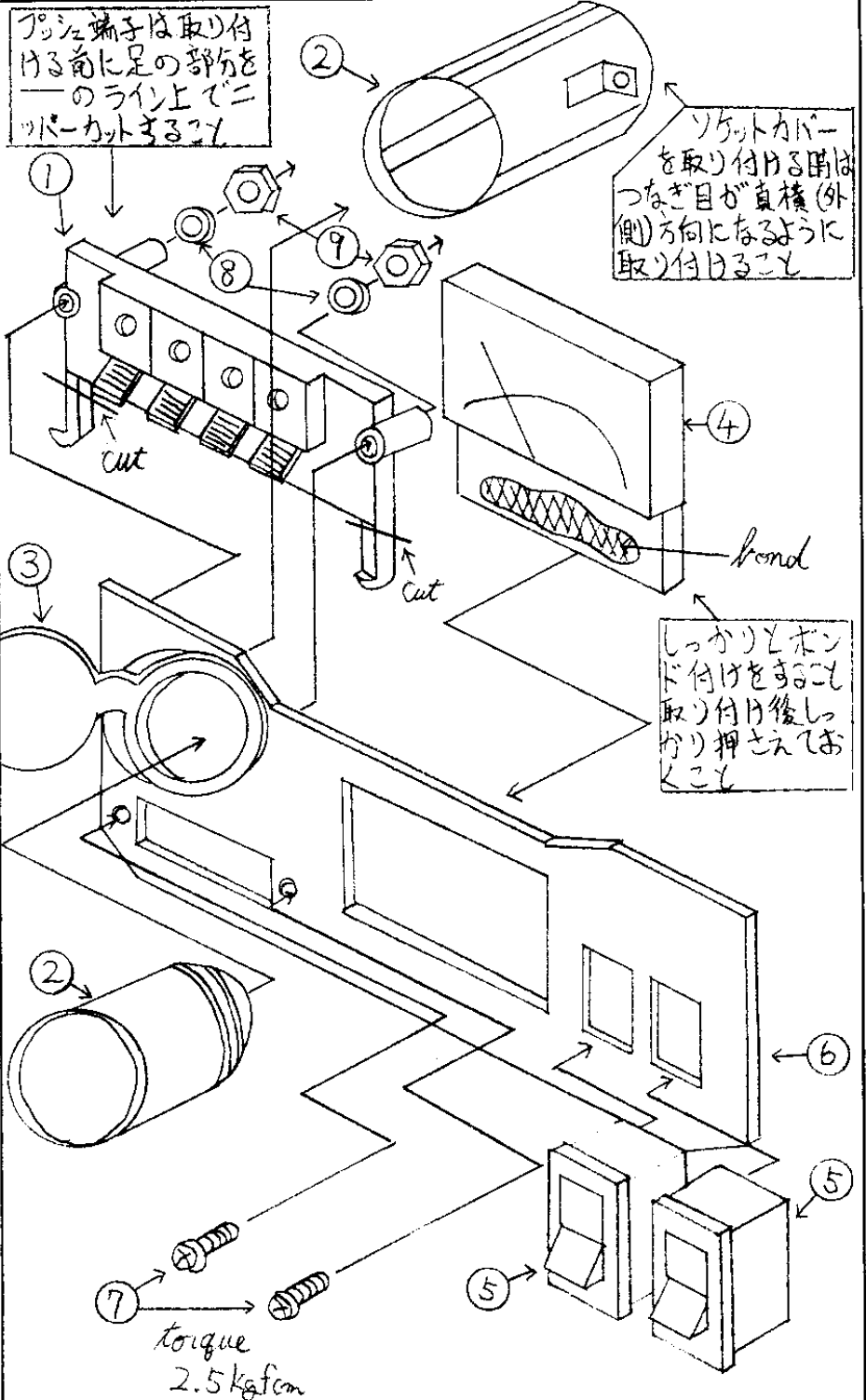


Front Panel の組み立て

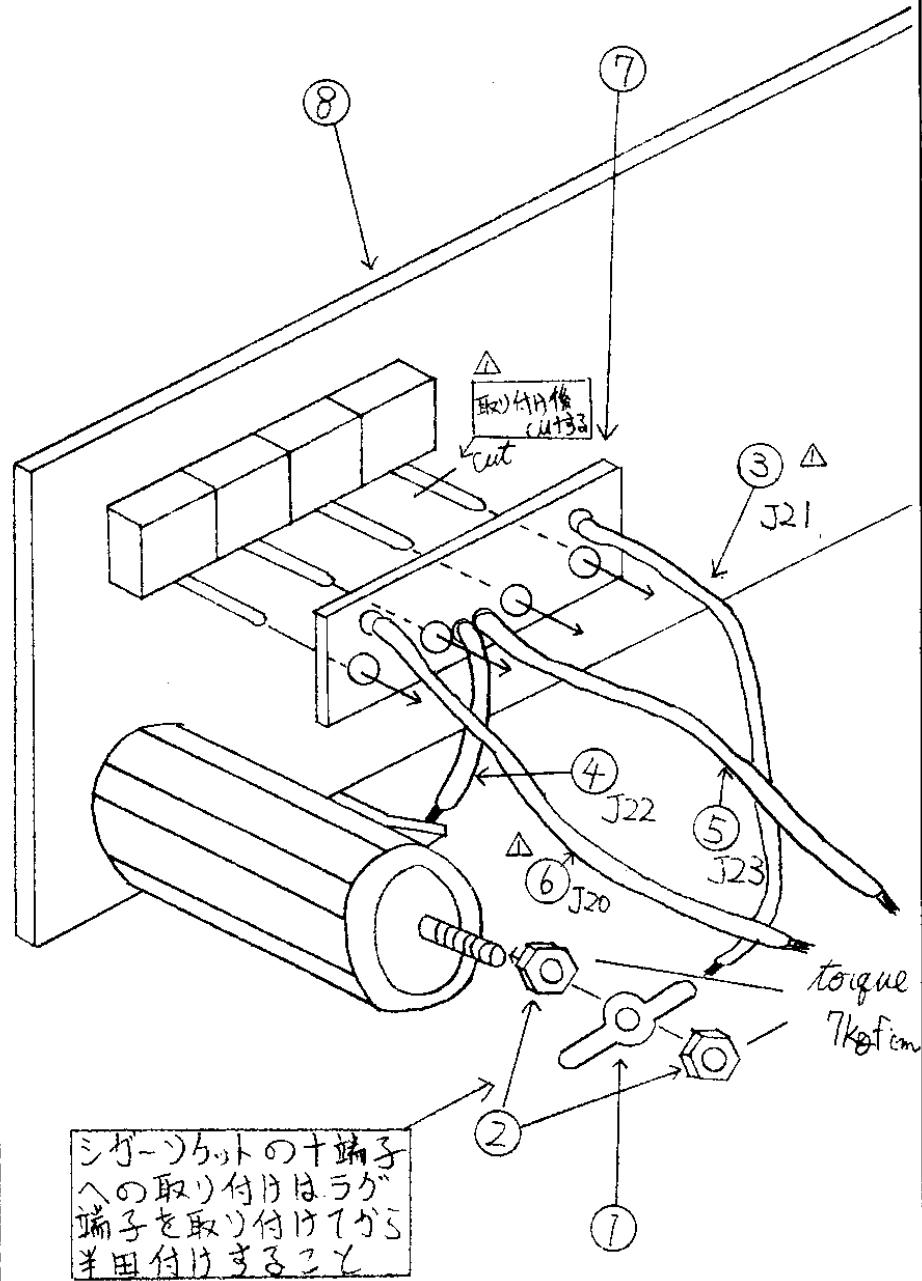
- ① push terminal
CJ-9012
(UT0047)
- ② cigar socket
YE2113
(UY0006)
- ③ socket cover
(accessories②)
- ④ meter
(EM0038)
- ⑤ switch
MSR-5-2X#0
(UG0026)
- ⑥ front panel 330
(KM0247)
- ⑦ screw
M2.3+1637BC
(AA0073Y)
- ⑧ washer
M2.3テックロメ+
(AZ0036Y)
- ⑨ nut
M2.3テックロメ+
(AN0028Y)

Number
7
7
7
7
2
1
2
2
2



Cigar terminal Push terminal の組み立て

- | number | |
|--------|-----------------------------|
| ① | terminal A-5 (AT0003) 7 |
| ② | nut (accessories ①) 2 |
| ③ | wire red J21 (MRBD07DD) 7 |
| ④ | wire black J22 (MBBD07DD) 7 |
| ⑤ | wire black J23 (MBBD22DD) 7 |
| ⑥ | wire red J20 (MRBD22DD) 7 |
| ⑦ | board 7 |
| ⑧ | front panel 7 |



Rear Panel の組み立て

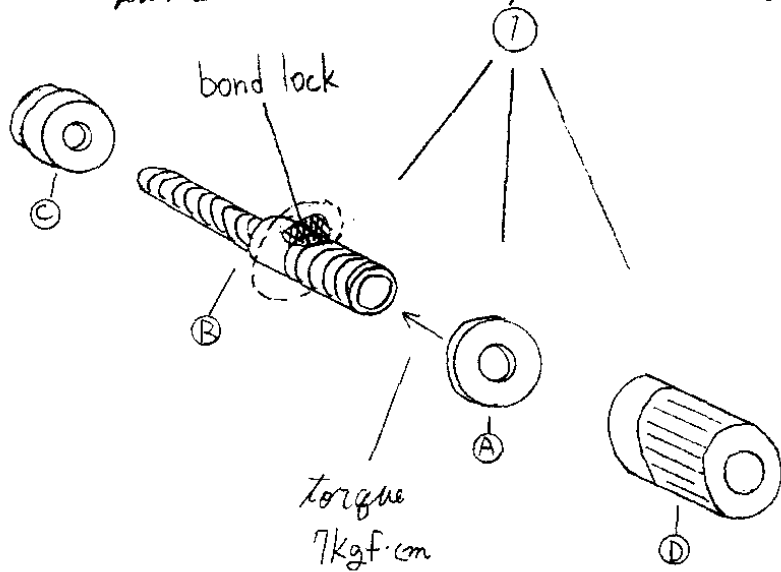
number	number	number
① DM330MV, DM330MVT Rear Panel 330 (KB0075A) 1	⑭ DM330MVT, DM330MVZ Cable stopper SR4K1 (FB0017) 1	⑯ DM330MVZ Cable PHP203 (UA0071) 1
② 20mm M3+16J ¹⁾ BC (AW007Y) 3	⑮ DM330MVT Cable PHP201 (UA0070) 1	⑰ DM330MVZ rear panel (KB0078) 1
③ 20mm M3+20J ¹⁾ BC (AW0008) 1		
④ terminal A-5 (AT0003) 1		
⑤ nut XNG3A (AN0010) 1		
⑥ ring (accessories) ⑨ 1		
⑦ nut (accessories) ⑨ 1		
⑧ DM330MV Cable stopper SR4N4 (FB0002) 1		
⑨ fuse holder CQ-207H (UH0020) 1		
⑩ DM330MV Cable TA27B 2A+25V (UA0069) 1		
⑪ DM330MV, DM330MVT fuse FGB0 8A (EF0001) 1		
⑫ fan D4010S24H (ET0010) 1		
⑬ DM330MVZ fuse FGB0 250V 4A (EF0019) 1		

Terminal の準備

- ① terminal
YE-2305-1R
(UT0048)
- YE-2305-1B
(UT0049)

number

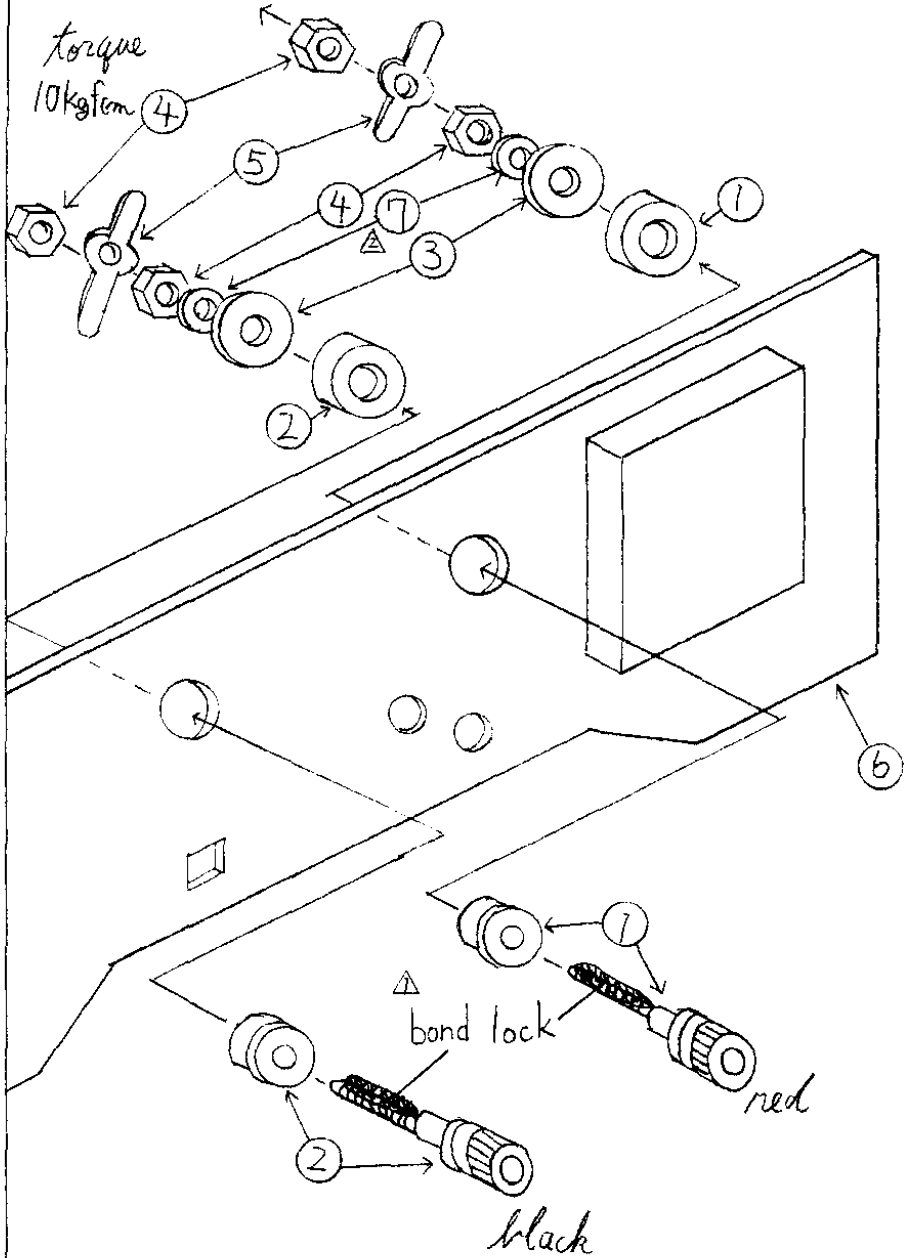
1. AをBにしっかりと取り付ける
screw tightly A to B.
2. A, B, Cが固定されるようボンドDのりを施す。
bond A and B together
3. Cを取り付ける。
then include C in the bonding of A and B.
4. ボンドが外にはみだしてないが確認する。
clean the excess bond outside the bonded area.
5. Dを取り付ける (bond too much bond on the bonded area so as to prevent over bond)
put D



ターミナル取り付けるリング台座を
しっかりと締めつけておくこと

Terminal の取り付け

- | number | |
|--------|------------------------------------|
| ① | terminal
YE-2305-1R
(UT0048) |
| ② | terminal
YE-2305-1B
(UT0049) |
| ③ | washer
(accessories ①,②) |
| ④ | nut
(accessories ①,②) |
| ⑤ | terminal A-5
(AT0003) |
| ⑥ | rear panel |
| △
⑦ | washer
XWG4FN
(AZ0017) |



Capacitor and Terminal の取り付け

ALL PAGE

JOB

PAGE

機種

DM330MV

7 / 19

	number	
① terminal (accessories UT0048, UT0049)	2	
② wire black J30, J31 (MBBD04CC)	2	
③ capacitor 0.01 (CK0002)	1	
④ capacitor 0.1 (CK0005)	1	
⑤ capacitor 220/35V (CE0019)	1	
⑥ rear panel	1	

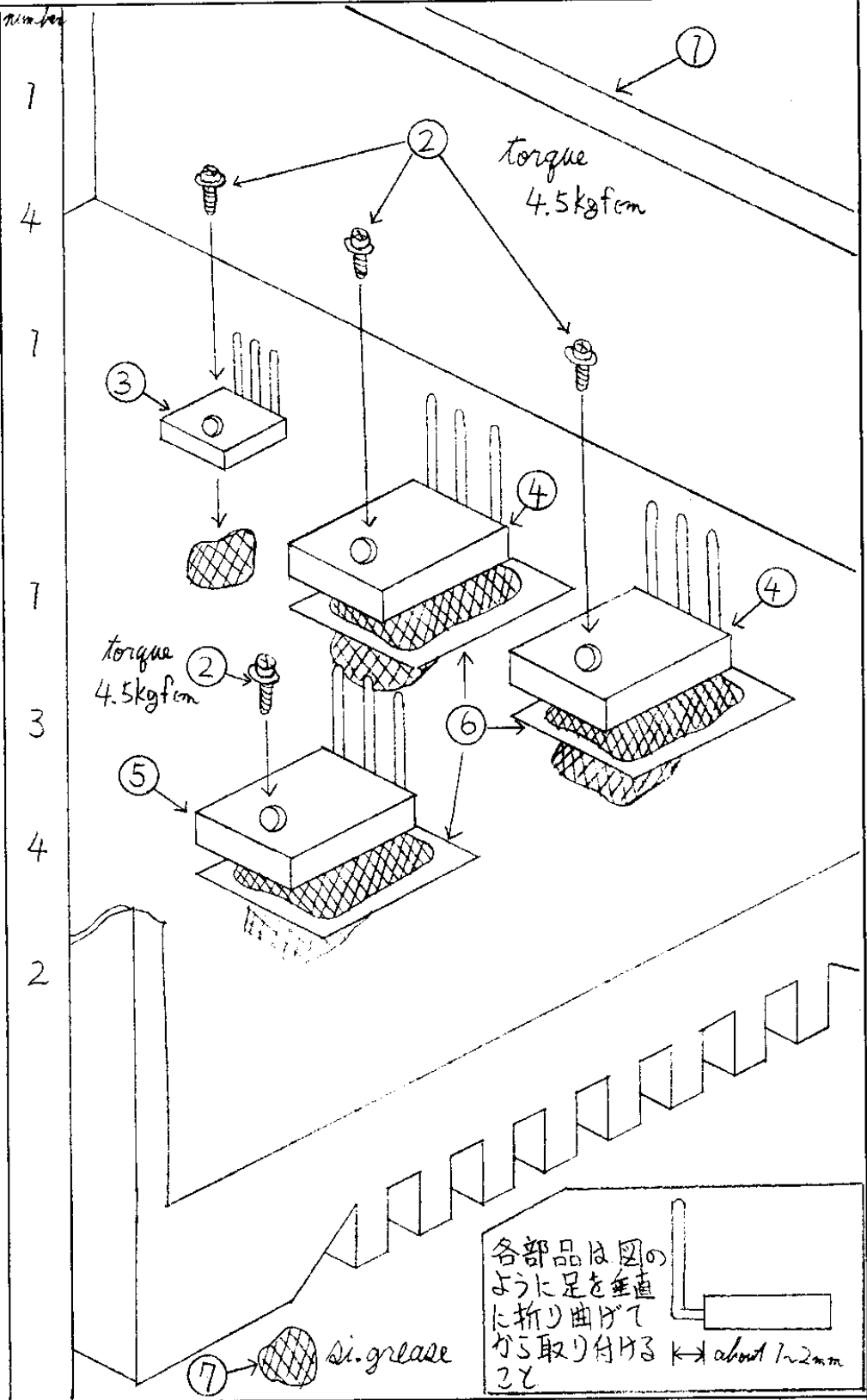
Transistor and Diode の取り付け

機種

DM330MV

8 / 19

- ① case
ウイブス 330MV
- ② screw
(KU0128A)
△ M2.6+103)BC
(AB0024Y)
- ③ transistor
2SC5353
(XT0177)
- ⑤ diode
U30D20C
(XD0333)
- ⑥ sheet 330MV
(TZ0077)
- ⑦ Si. grease g746
1gram
(YZ0001)
- ④ transistor
△ 2SC4157
(XT0179)



Board の取り付け

- ① screw XYN26+C8 (AB0007)
- ② board
- ③ upside case
- ④ TH4

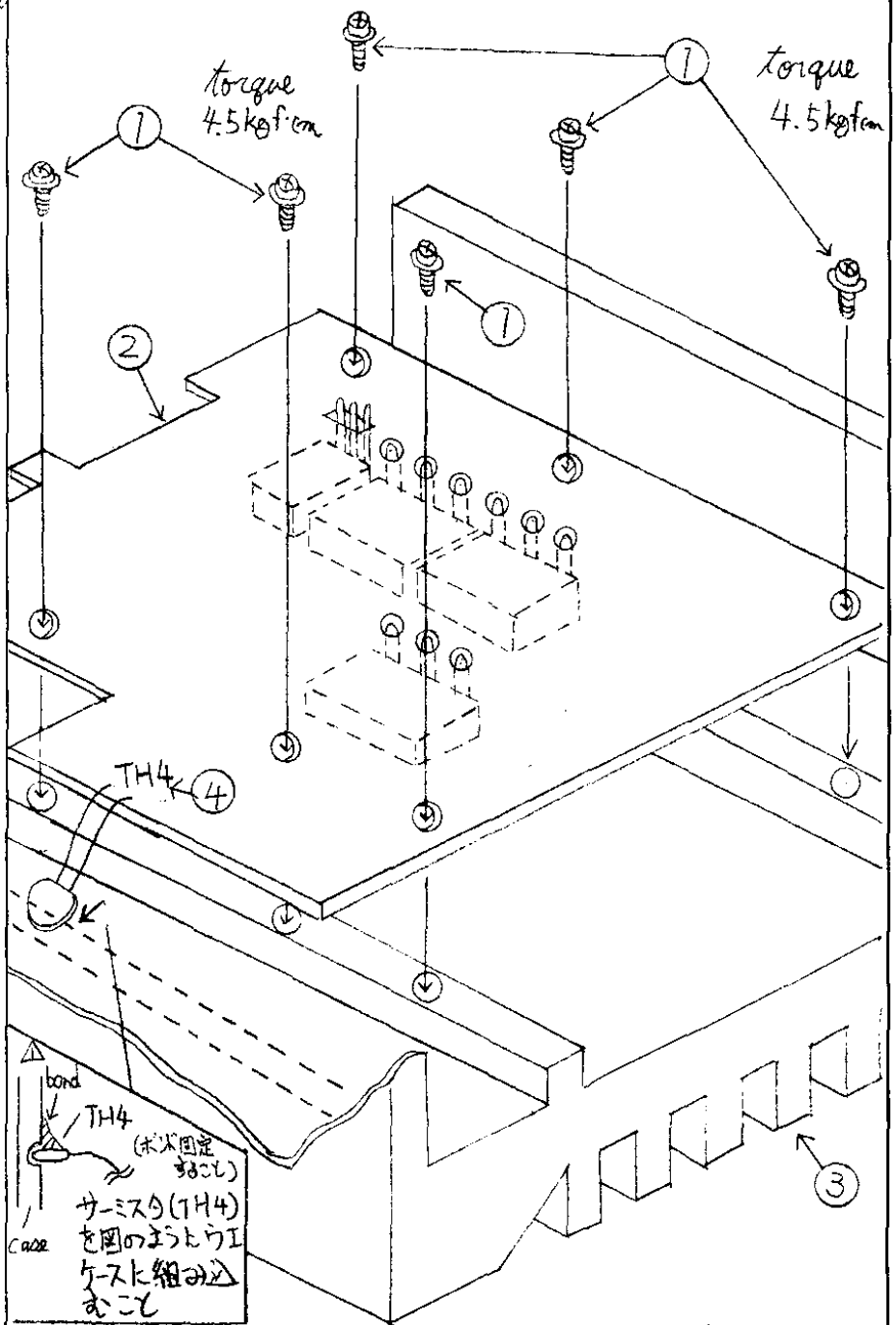
number

6

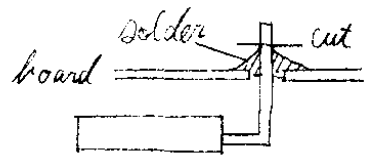
7

7

7



各商品の足が基板の穴から出て来るように取り付け。基板をビスで固定した後しっかりと半田付けすること。半田付け後、余部な足はニッパーカットすること。



Front side への Wire の取り付け

① front panel

number

1

△ ② wire green
J1,
(MGAJ22CC)

1

③ wire black
J15
(MBAJ22CC)

1

④ board

1

△ ⑤ wire white
J2
(MWAJ22CC)

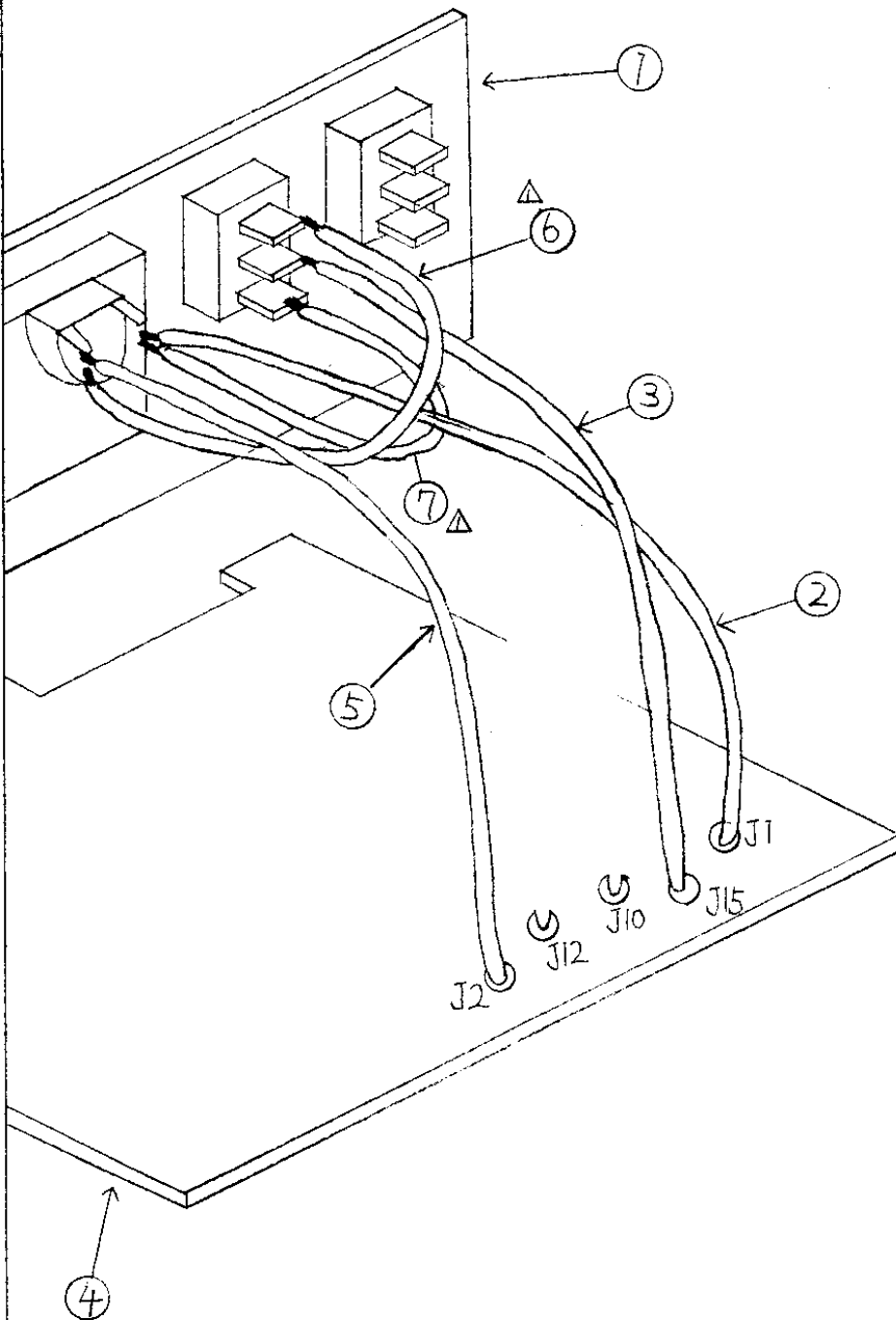
1

△ ⑥ wire yellow
J12
(MYAJ07CC)

1

⑦ wire red
J10
(MRAJ07CC)

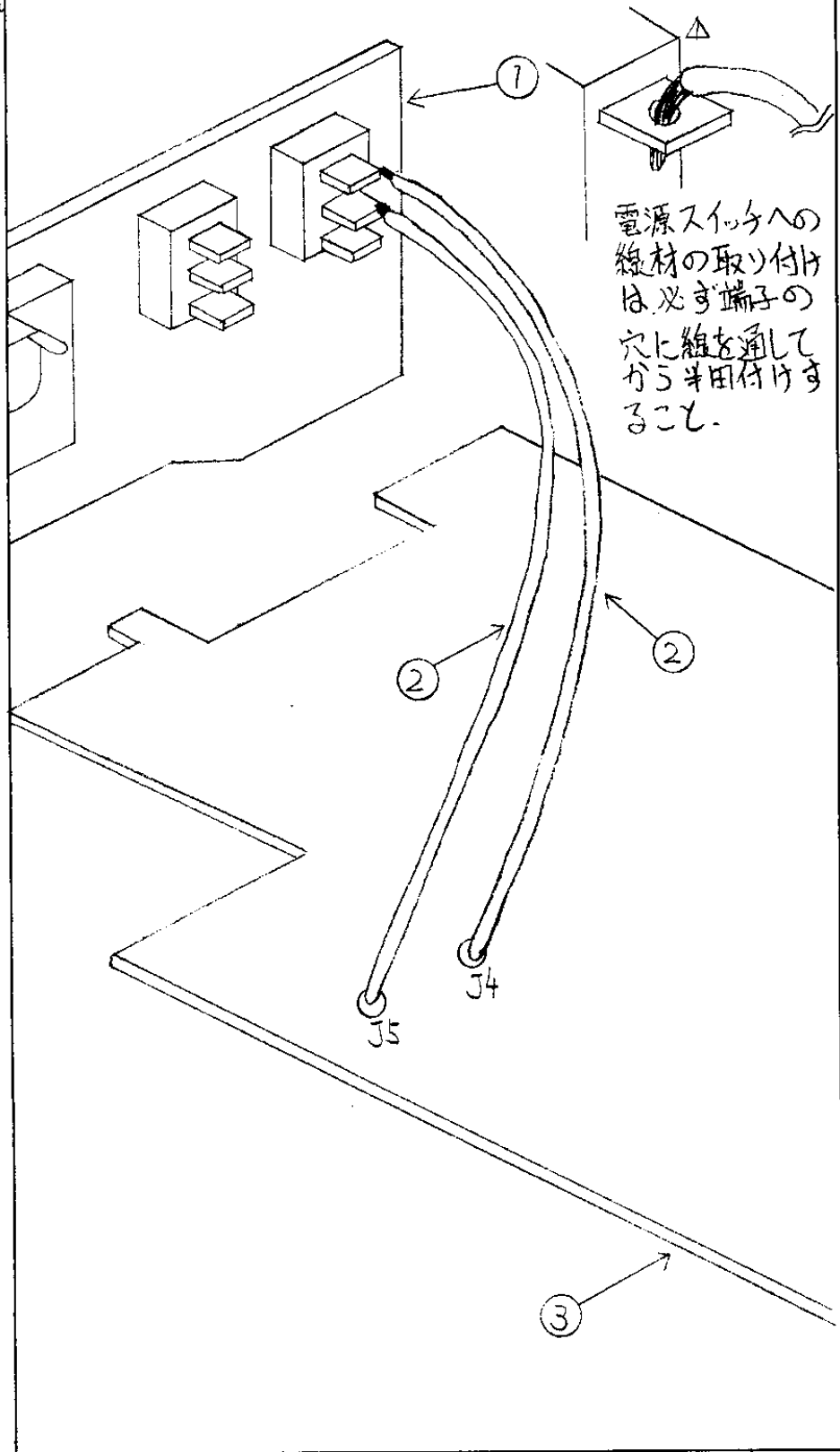
1



Front side への Wire の取り付け

- ① front panel
- ② wire red
J4, J5
(MRBD22DD)
- ③ board

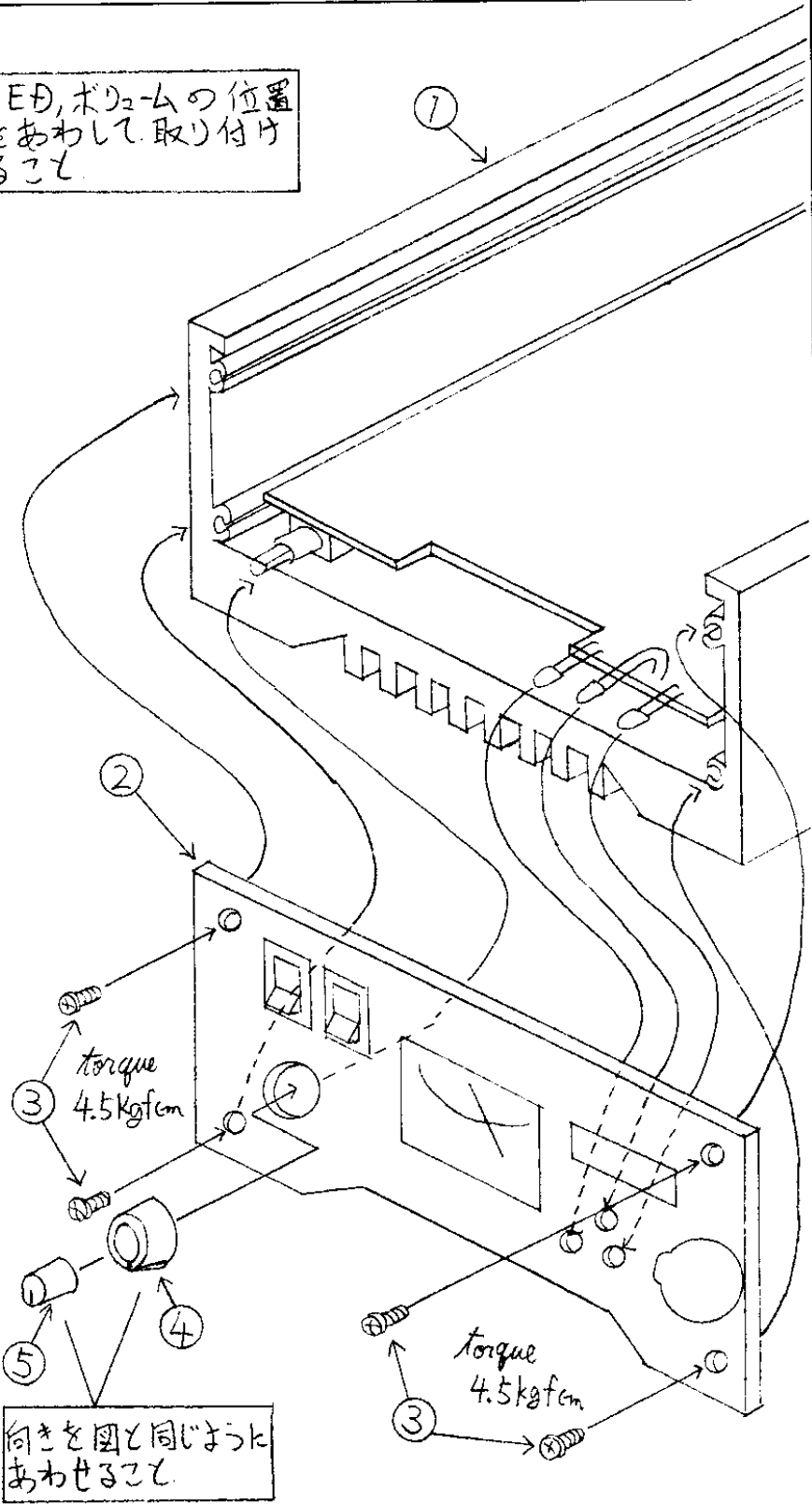
number
7
2
7



Front Panel の取り付け

- | number | |
|--------|-----------------------------------|
| ① | upside case |
| ② | front panel |
| ③ | SCREW
△ M3+6 50BC
(AA0018Y) |
| ④ | knob
SQL用 XM601
(NK0043) |
| ⑤ | knob
VOL用 XM601
(NK0044) |

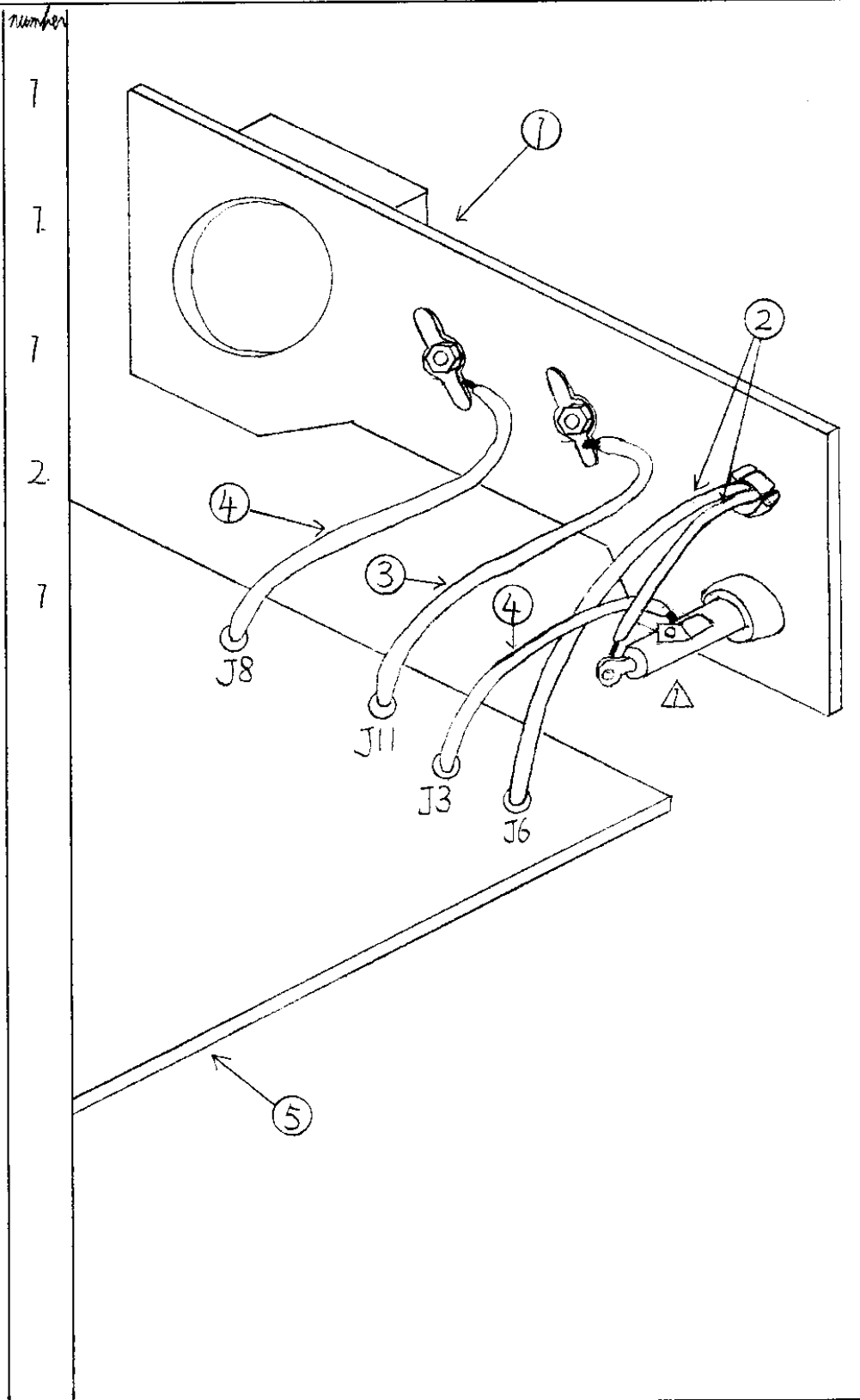
LED, ボリュームの位置
をあわせて取り付け
ること

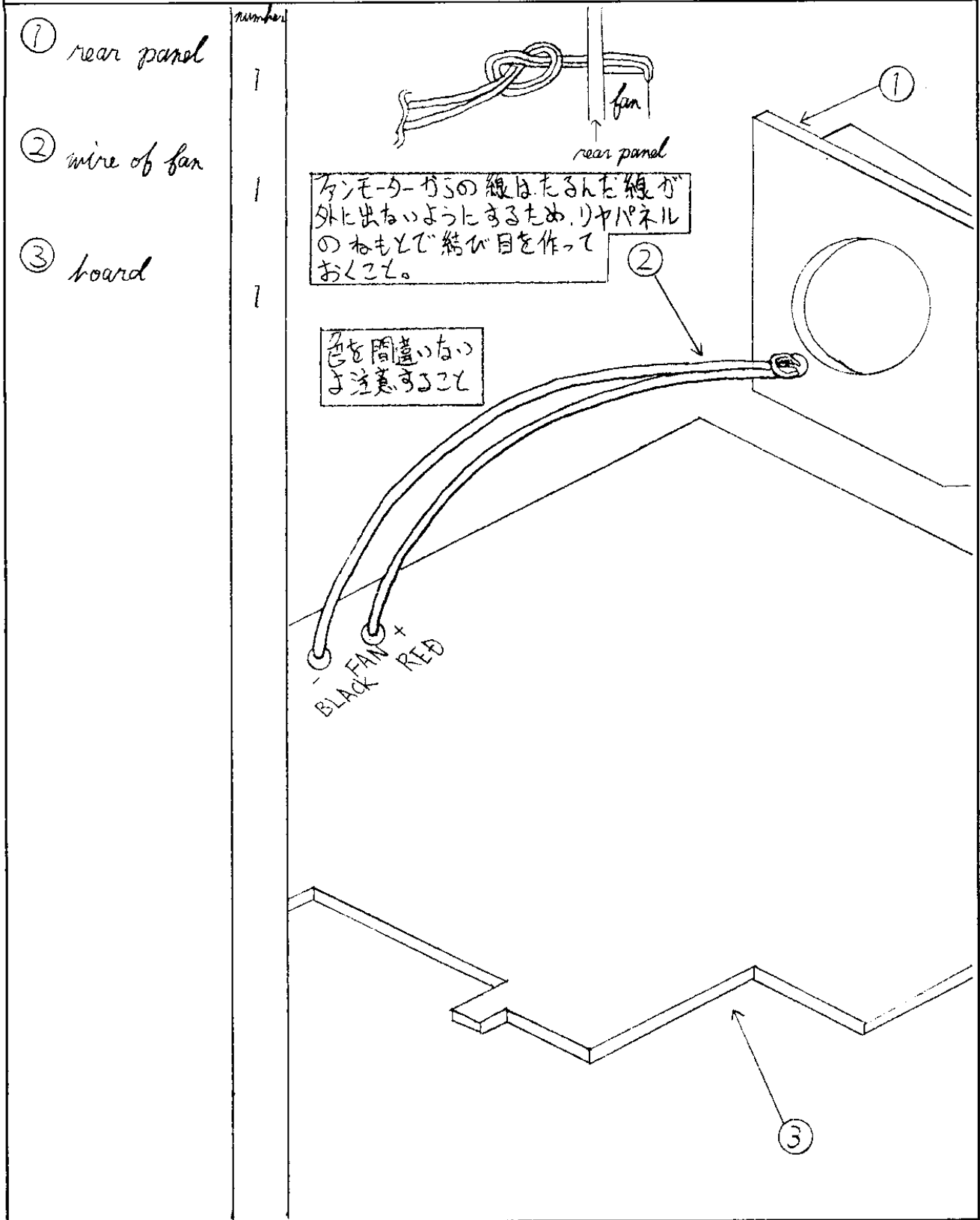


向きを図と同じように
あわせること

Rear side への Wire の取り付け

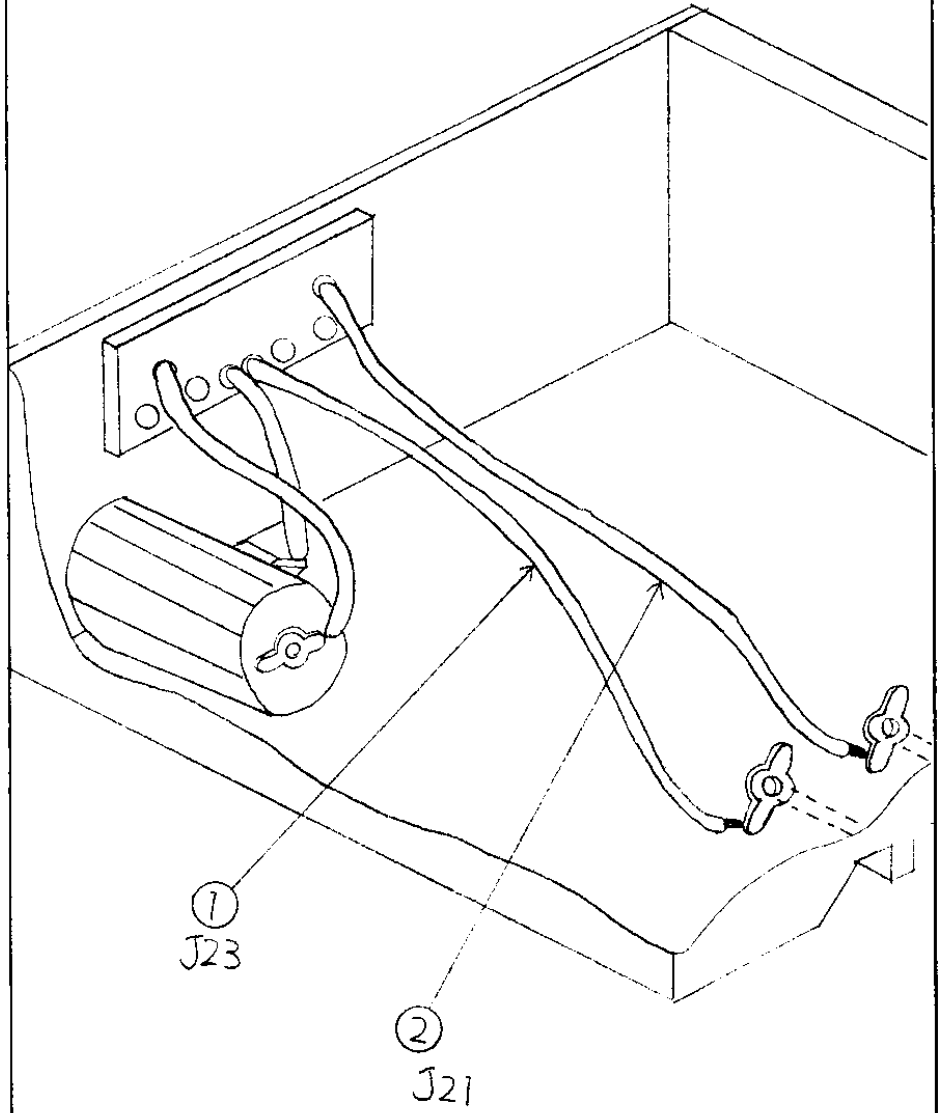
- ① rear panel
- ② cable TA-27B
- ③ wire black
J11
(MBBD07DD)
- ④ wire red
J3, J8
(MRBD07DD)
- ⑤ board





Wire の取り付け

- | | number |
|---------------------|--------|
| ① wire black
J23 | 1 |
| ② wire red
J21 | 1 |

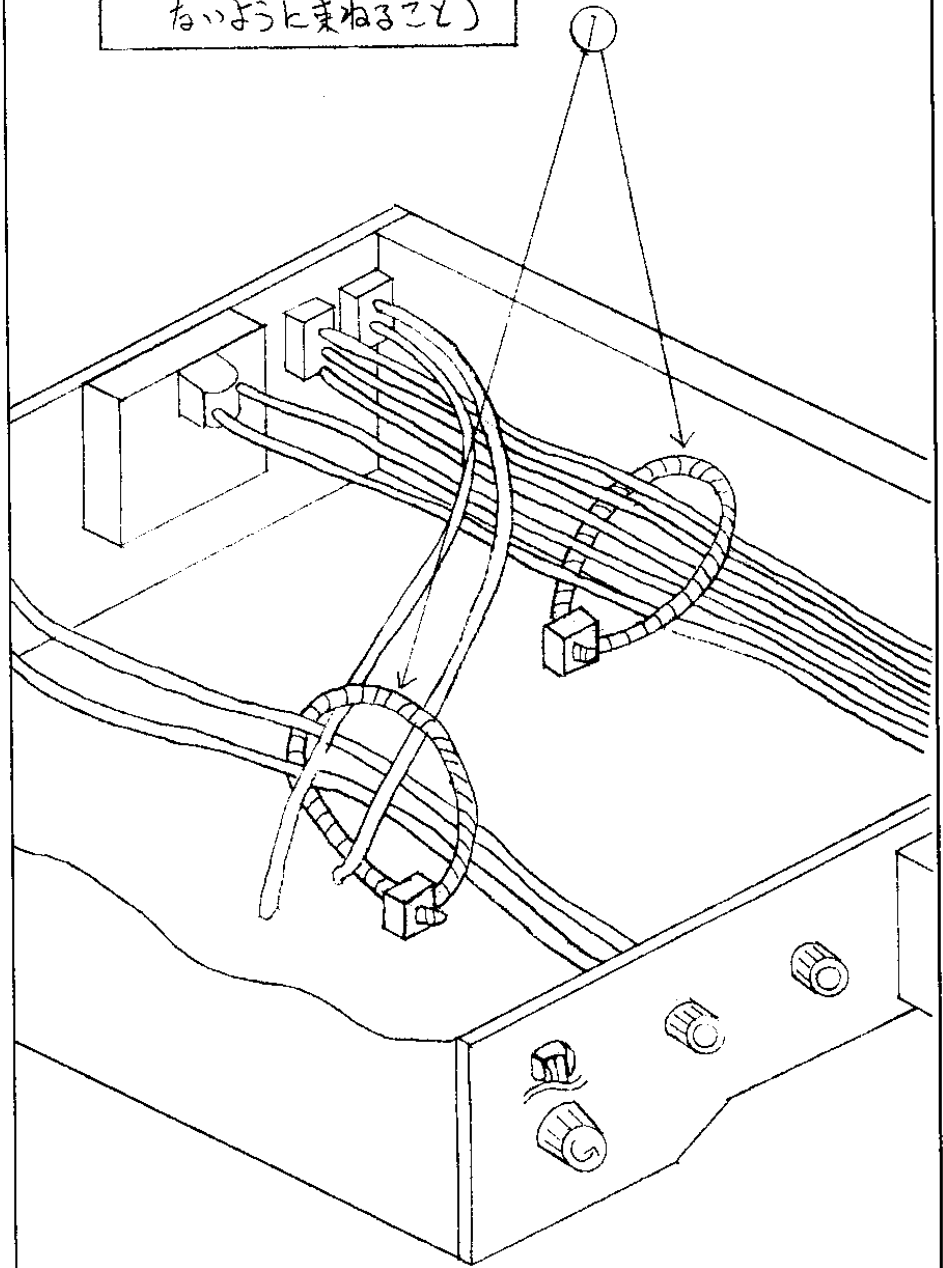


Wire を束ねる

① bind
SG100
(FP0004)

number
2

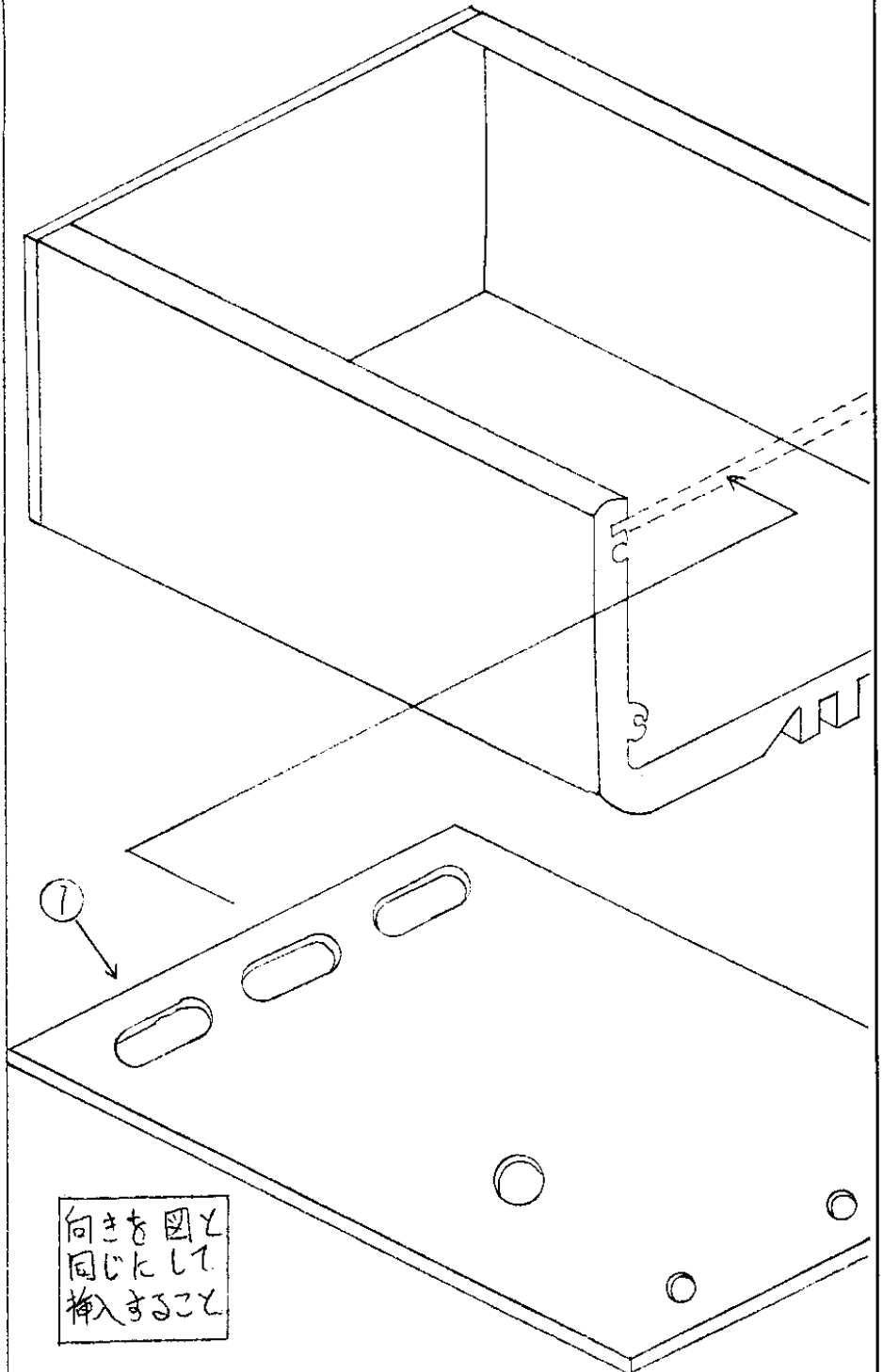
線材をインシュロックタイで束ねて2カ所にまとめる。
(できるだけ高温になる部品にあたらぬようにする)
(又、ファンの羽に線があたらぬように束ねること)



Bottom Case の取り付け

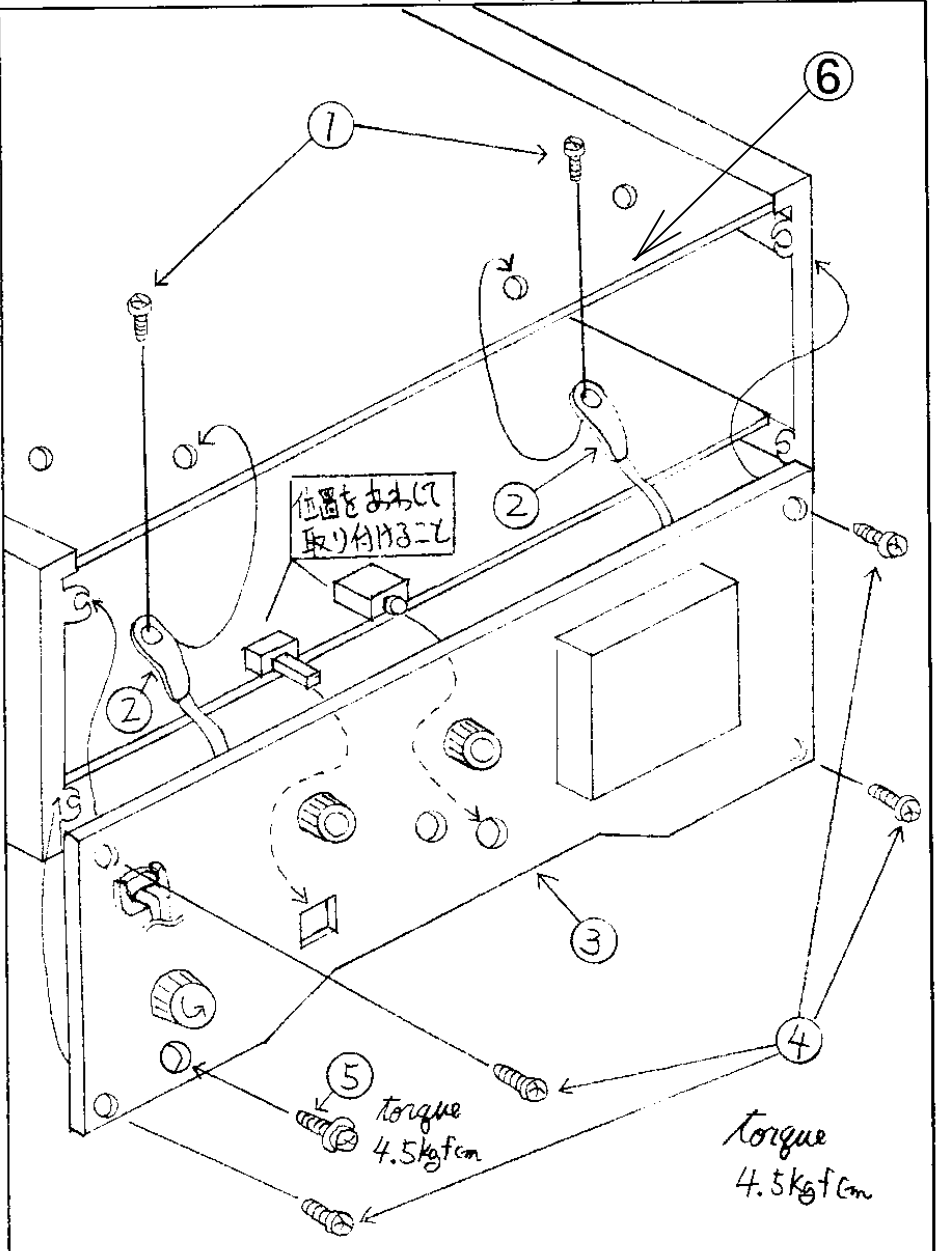
① bottom case
(KS0063A)

number
1

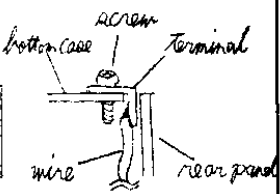


Rear Panel の取り付け

- | Number | Description |
|--------|---|
| ① | screw
XYN3+F6
(AD0004) |
| ② | terminal |
| ③ | rear panel |
| ④ | screw
M3+6 $\frac{3}{4}$ BC
(AA0018Y) |
| ⑤ | screw
XYN4+F10
(AD0005) |
| ⑥ | BOTTOM CASE
(KS0063A) |

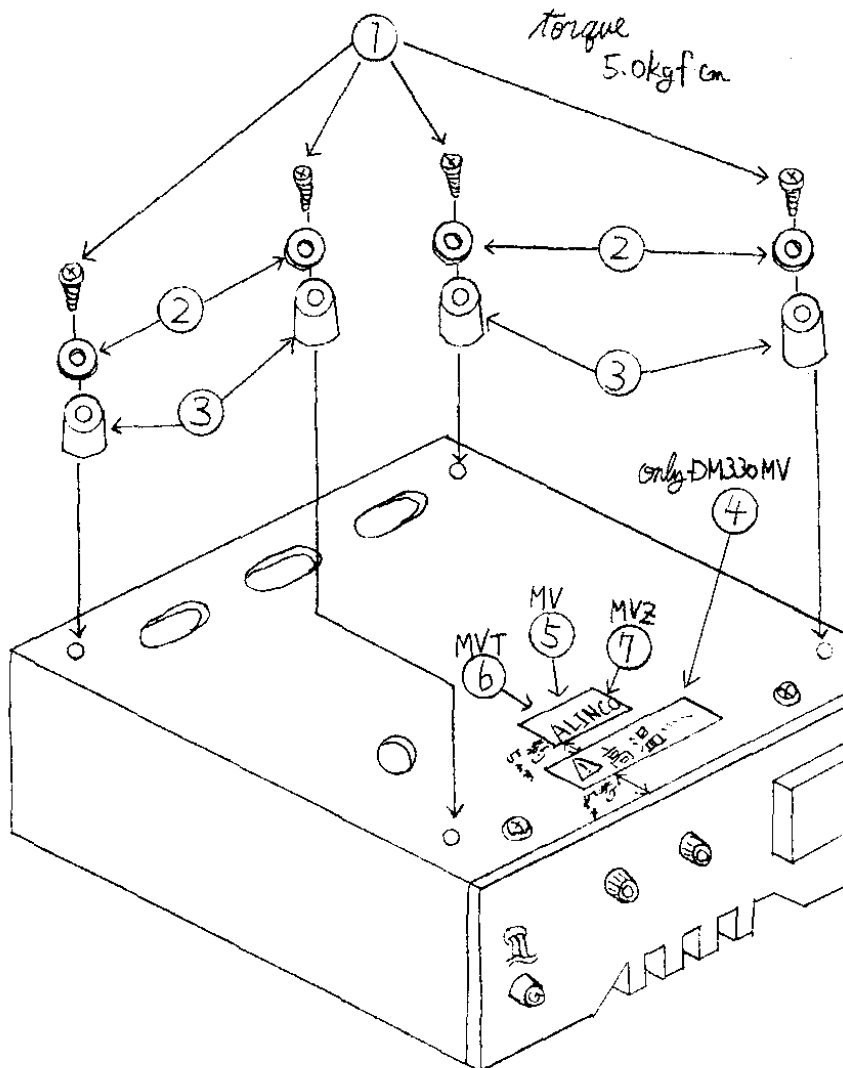


②の端子は右図のように
取り付けること



Seal and Rubber foot の取り付け

- | number | |
|--------|---|
| ① | screw
△ XTB3+8BFZ (AJ0007Y) |
| ② | washer
XWE3FZ (AZ0039) |
| ③ | rubber foot
(DF0001) |
| ④ | DM330MV
Caution seal
(PR0386) |
| ⑤ | DM330MV
Seal
テイクシート 330MV
(DS0413) |
| ⑥ | DM330MVT
seal
テイクシート 330MVT
(DS0417) |
| ⑦ | DM330MVZ
seal
テイクシート 330MVZ |



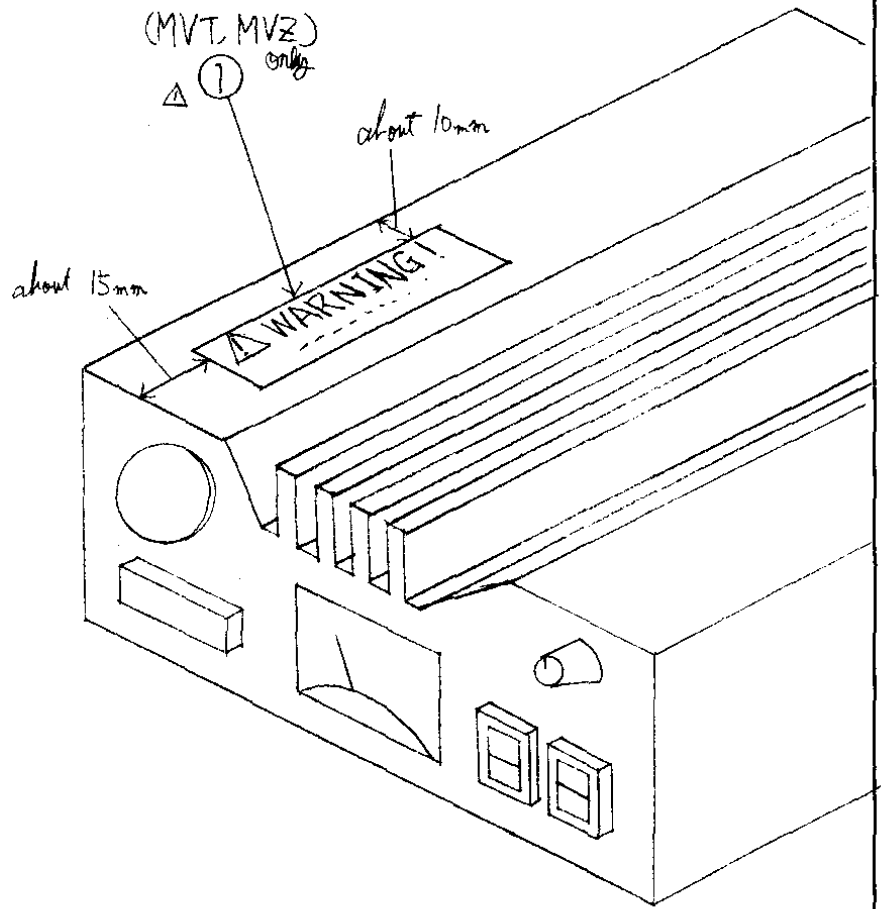
④, ⑤ のテイクシート, CAUTION シールは、
文字の向きを固くあわせて約5mm 間隔
で貼り付けること。

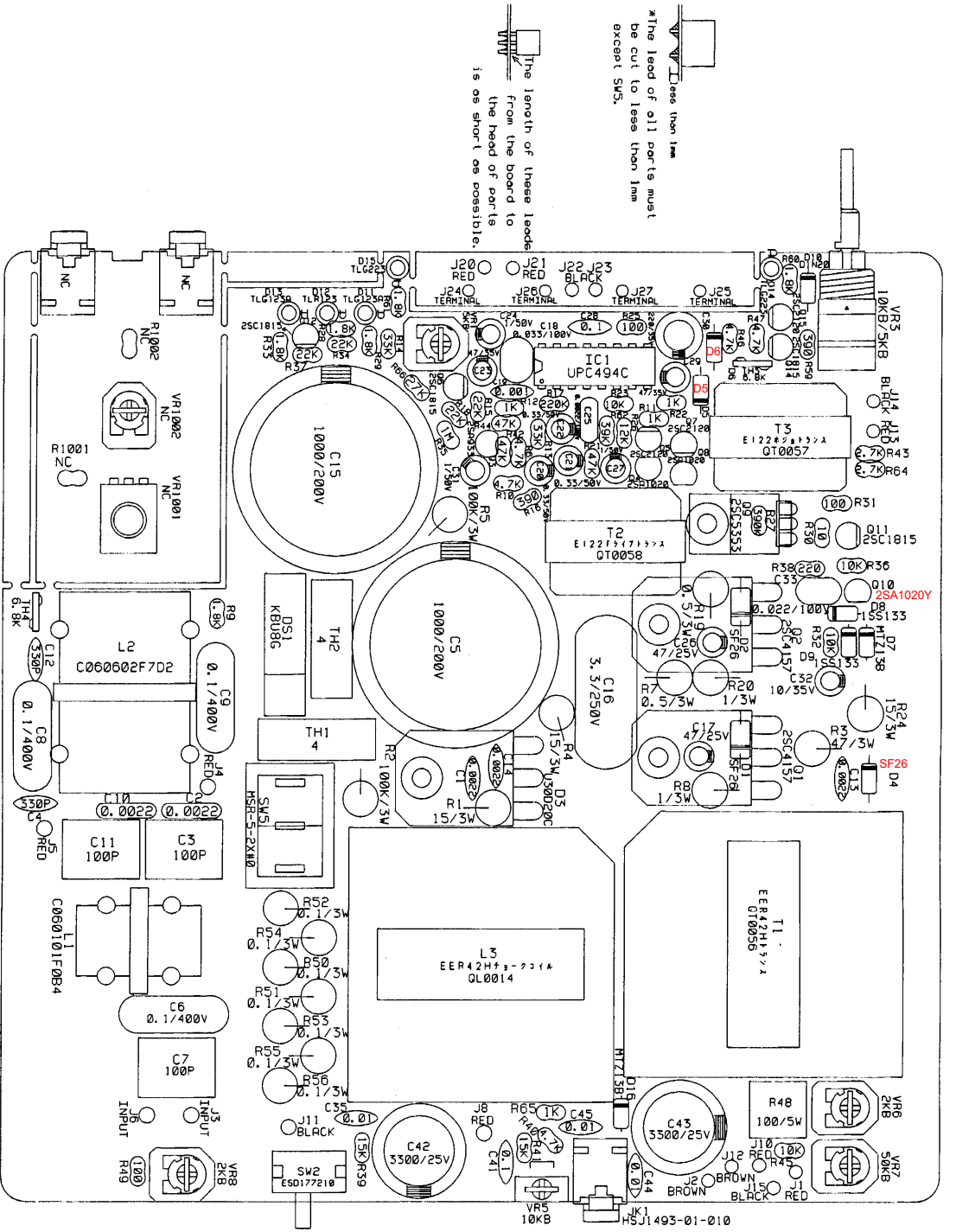
the attachment of seal to case
(DM330MVT, MVZ)

ALL PAGE	JOB	PAGE
	機種	19-7
	DM330MV	19

① DM330MVT, DM330MVZ
Caution seal.
△ (PR0426)

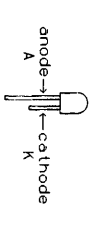
number:
1





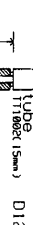
Close than 1mm
 *The lead of all parts must be cut to less than 1mm except SMS.

The length of these leads from the board to the head of parts is as short as possible.

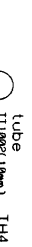


Tube (1mm) D11, D13, D14, D15

Put the tube (1mm) on to the lead of the parts before installing it to the board. Please be careful about the polarity of diode.



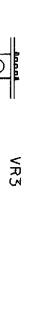
Tube (1mm) D12
 Put the tube (1mm) on to the lead of the parts before installing it to the board. Please be careful about the polarity of diode.



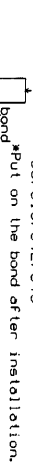
Tube (1mm) TH4
 Put the tube (1mm) on to the lead of the parts before installing it to the board.



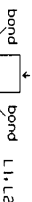
DS1
 Put bond on both side of DS1 after installation.



VR3
 *Install VR3 in B side.



C5, C15, C42, C43
 Put on the bond after installation.



L1, L2
 Put on the bond before installation.

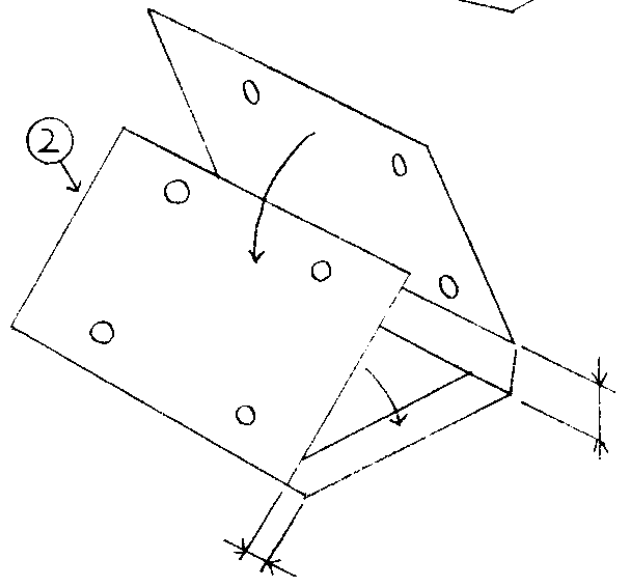
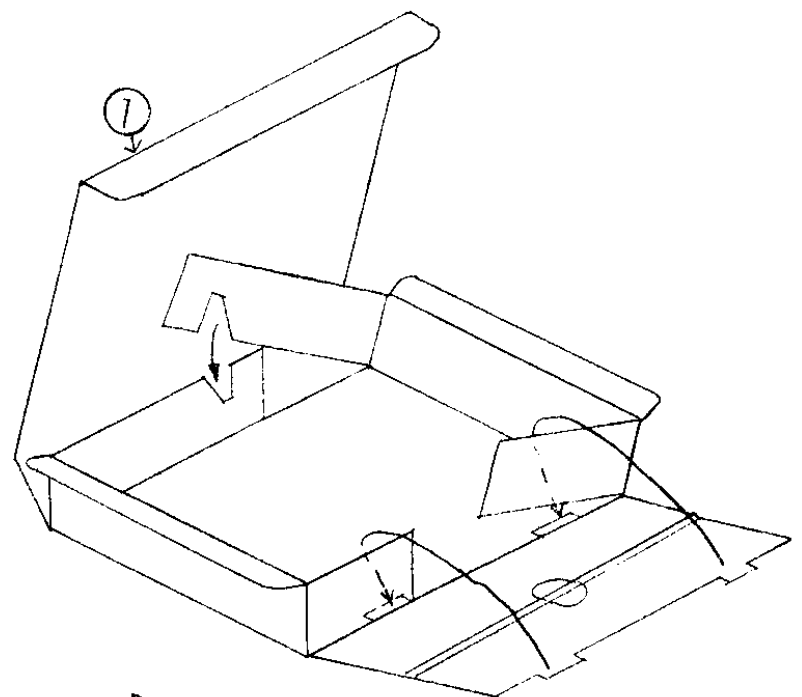
*Install 01, 02, 09 and D3 during assembly.

指示寸法部分ノ寸法公差	
材料	
設計	
年月日	
改正内容	
印	

外装	編数	機種
設計	UP0380A	DM330MV/MV7/MVZ
作図	UP0380A	
照査	UP0380A	
認可	UP0380A	
図番	UP0380A	
図番	UP0380A	

Package の組み立て

- | Number |
|------------------------------|
| ① HK0469
(Packge DM330MV) |
| ② HU0141
(Inner board A) |



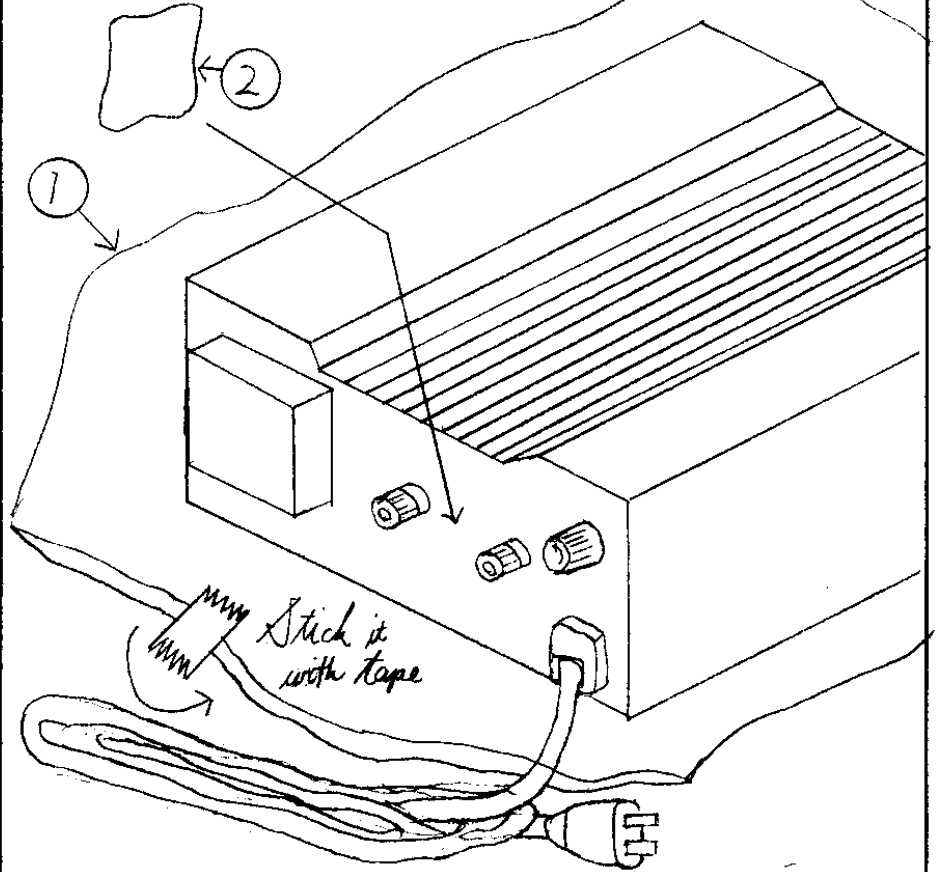
広い側が上
に来る様折る。

Packing

- ① plastic bag
65x250x400
(HP0039)
- ② drying agent

Q. 有
1
1

Put the drying agent between the terminals.

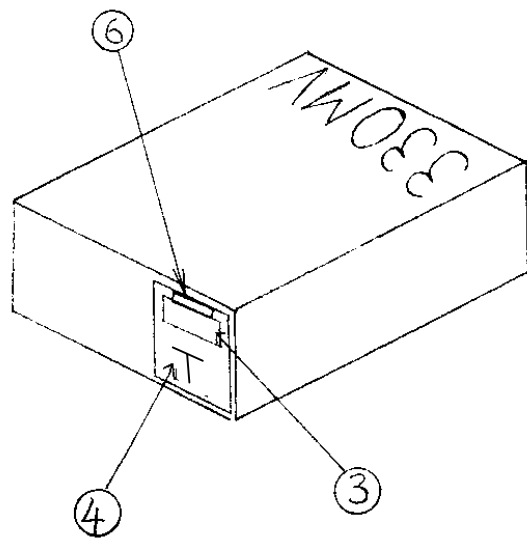
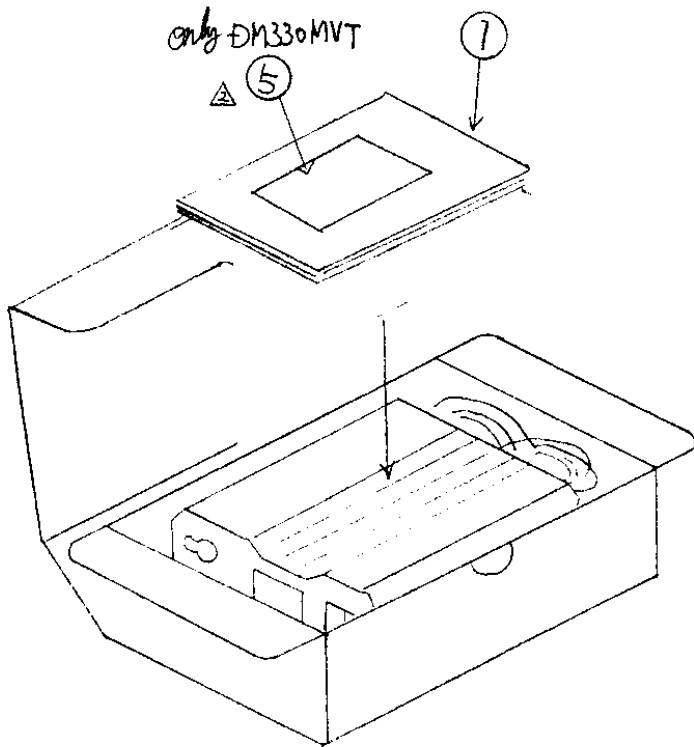


Please pack the main body of the converter like the one in the picture, the AC cable cord must be placed outside the plastic bag.

- ・ シリカゲルは、ターミナル端子の間に入れる。
- ・ ACケーブルは、ビニール袋の外に出す。

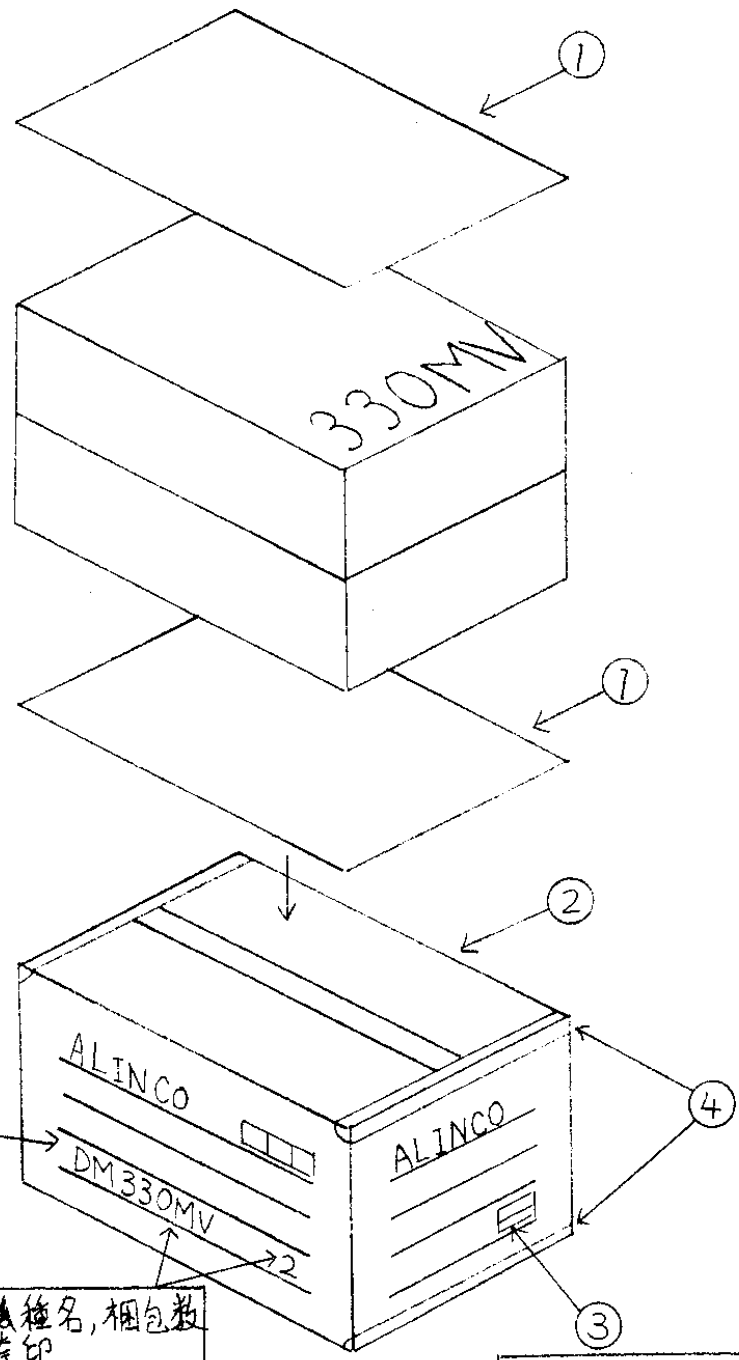
製品の梱包

- | Number | |
|--------|---|
| ① | manual
△ INSTRUCTN330
(PS0316A) |
| ③ | seal
Lot No. seal
(PT0032) |
| ④ | T ;(DM330MVT)
Z ;(DM330MVZ)
stamp |
| ⑤ | DM330MVT
guarantee
△ (PH0009A) |
| ⑥ | STICKER
(PR0328) |



梱包 (外装)

- | Number | |
|--------|---|
| ① | inner 2 pcs 830M
(HU0144) 1 |
| ② | carton 2 pcs 830M
(HM0185) 1/2 |
| ③ | seal
Lot No. seal
(PT0032) 7 |
| ④ | gummed tape
かぶろ-7° 100mm
(YZ0121) 3 |



△
or
DM330MVT
or
DM330MVZ

機種名, 梱包数
捺印
(反対面も同様)

本体と同一番号の物を貼付

Adjustment

ALL PAGE

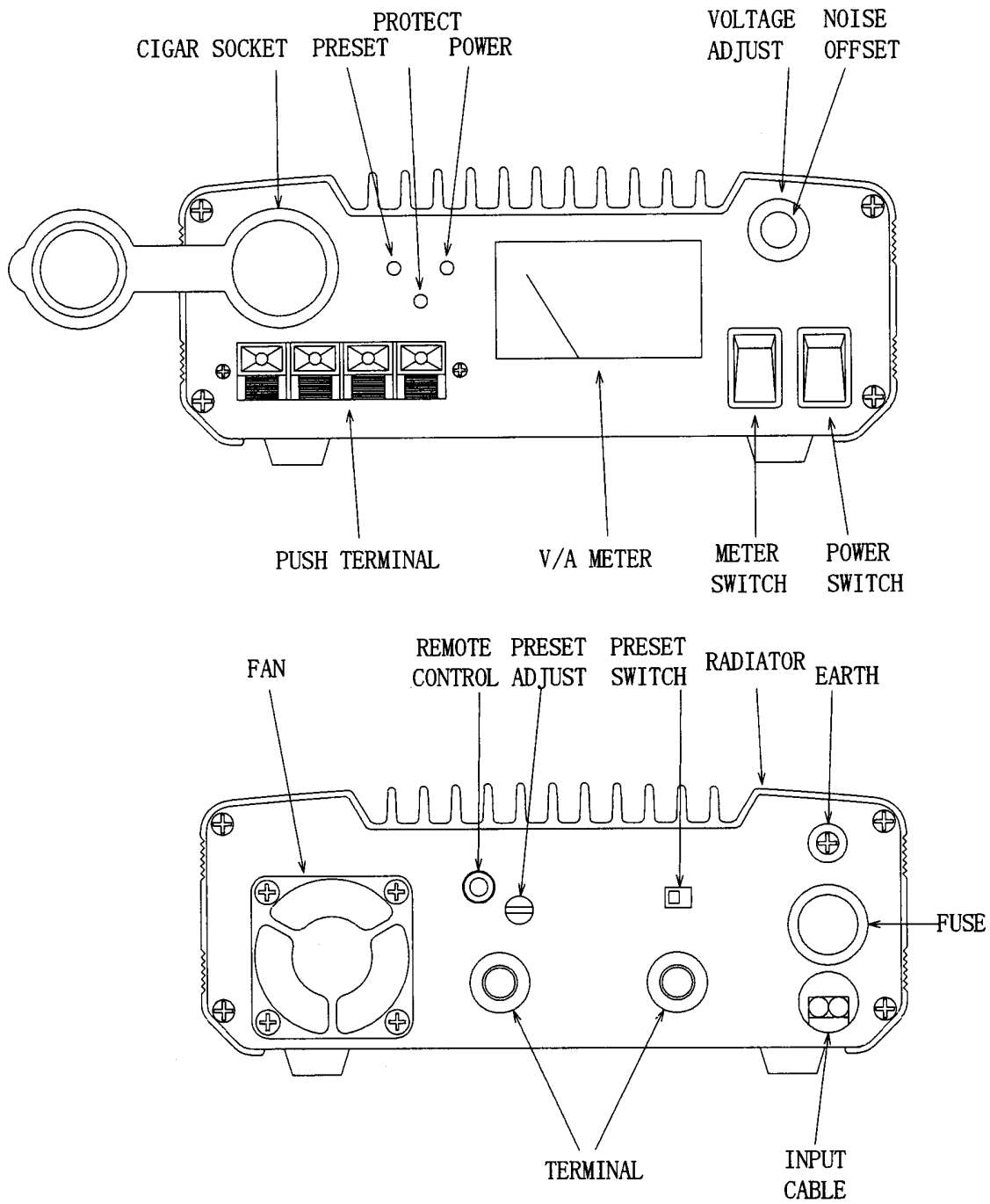
JOB

PAGE

機種

DM 3 3 0 MV

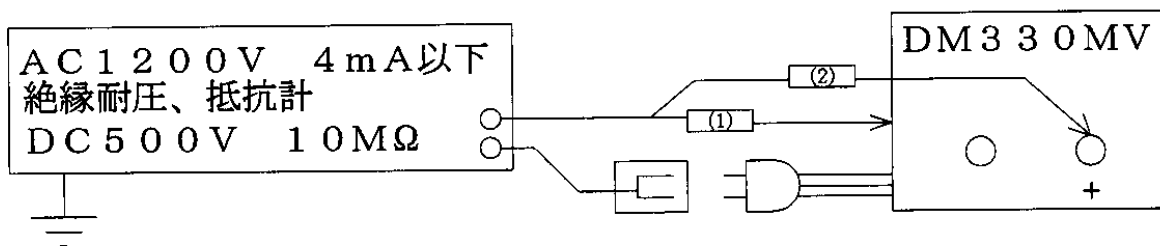
1 / 6



絶縁耐力・絶縁抵抗試験

下図のように試験器の本体をアースし、出力の一方をACのレセプタクルの両端子に接続しテストする。

- (1) ACプラグとシャーシ間
- (2) ACプラグと出力端子(赤)



設定

絶縁耐圧計		絶縁抵抗計	
設定電圧	AC 1200V	設定電圧	DC 500V
漏洩電流	4mA	抵抗	10MΩ
時間	1秒間	時間	1秒間

上記試験に耐えること。

発行年月日	承認	承認	検印	担当	図番	改訂記号

Testing Adjustment Summary	ALL PAGE	JOB	PAGE
		機種 DM330MV	5-3 6

Supplementary explanation about Over Current Protection Circuit:

When doing the adjustment of over current protection circuit, please always do it with the radiation case's temperature similar to the room temperature. (Please always do the testing of the load first among the testing.)

Same with the load and the others, do not do the adjustment when the radiation case is hot. If you adjust the protection circuit with the radiation case in hot condition, then the adjusted value will become high current when the condition is normal. With this, there would always be a fear that the switching transistor will break.

After repairing, please wait until the temperature of radiation case becomes Normal. Please always adjust in the location that makes the output voltage lowered by approximately 0.3 V when the condition takes 33 A load.

(Please don't do the adjustment taking more than 33 A load.)

When the adjustment is finished, increase the load and check if the current is still within 33 A.

Supplementary explanation about switching Input Voltage Switch (SW 5):

Please always check the location of SW 5 before including the power supply in the manufactured products. DM330MV and DM330MVT should be in 100 V side, and DM330MVZ should be in 220 V side. If in case SW 5 of DM330MVZ (Input 220 V) is mistakenly switched to 100 V side, then C5 and C15 will be over pressure, and the fuse will break due to the increase of leak current.

In this case, fuse must be change, and please also change C5 and C15 (1000 / 200 V). On the other hand, if in case SW 5 of DM330MV and DM330MVT (Input 100 V and 120 V respectively) is mistakenly switched to 220 V side, then desired output will not be outputted. Please turn the power supply off and switch SW 5 to 100 V side.

(If every components are seem ok, therefore, there is no need to change any part).

発行年月日	承認	承認	検印	担当	図番	改訂記号
199.8.12.						

